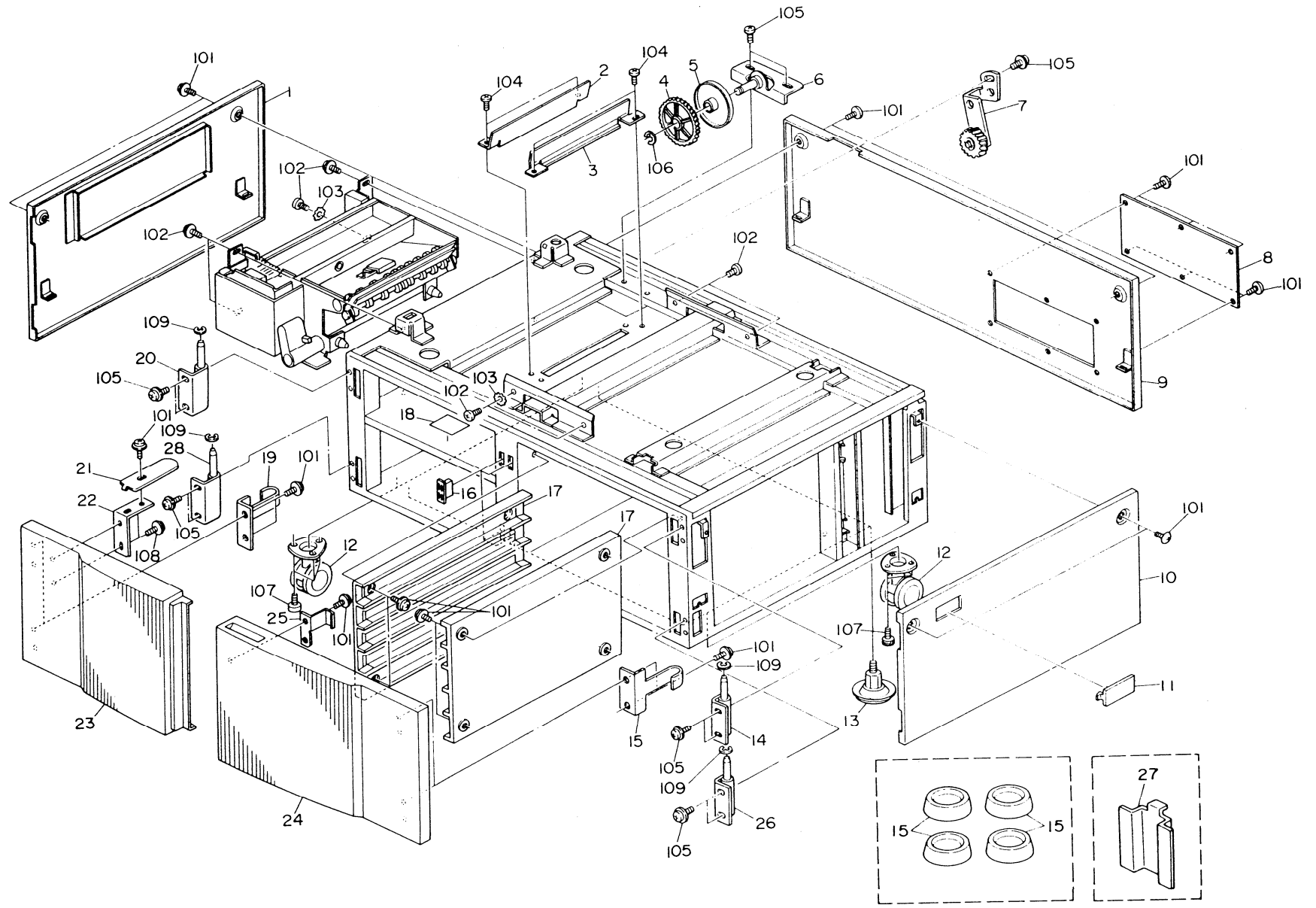


PS130 (A464)

1. EXTERIOR (A464)

January 25, '90



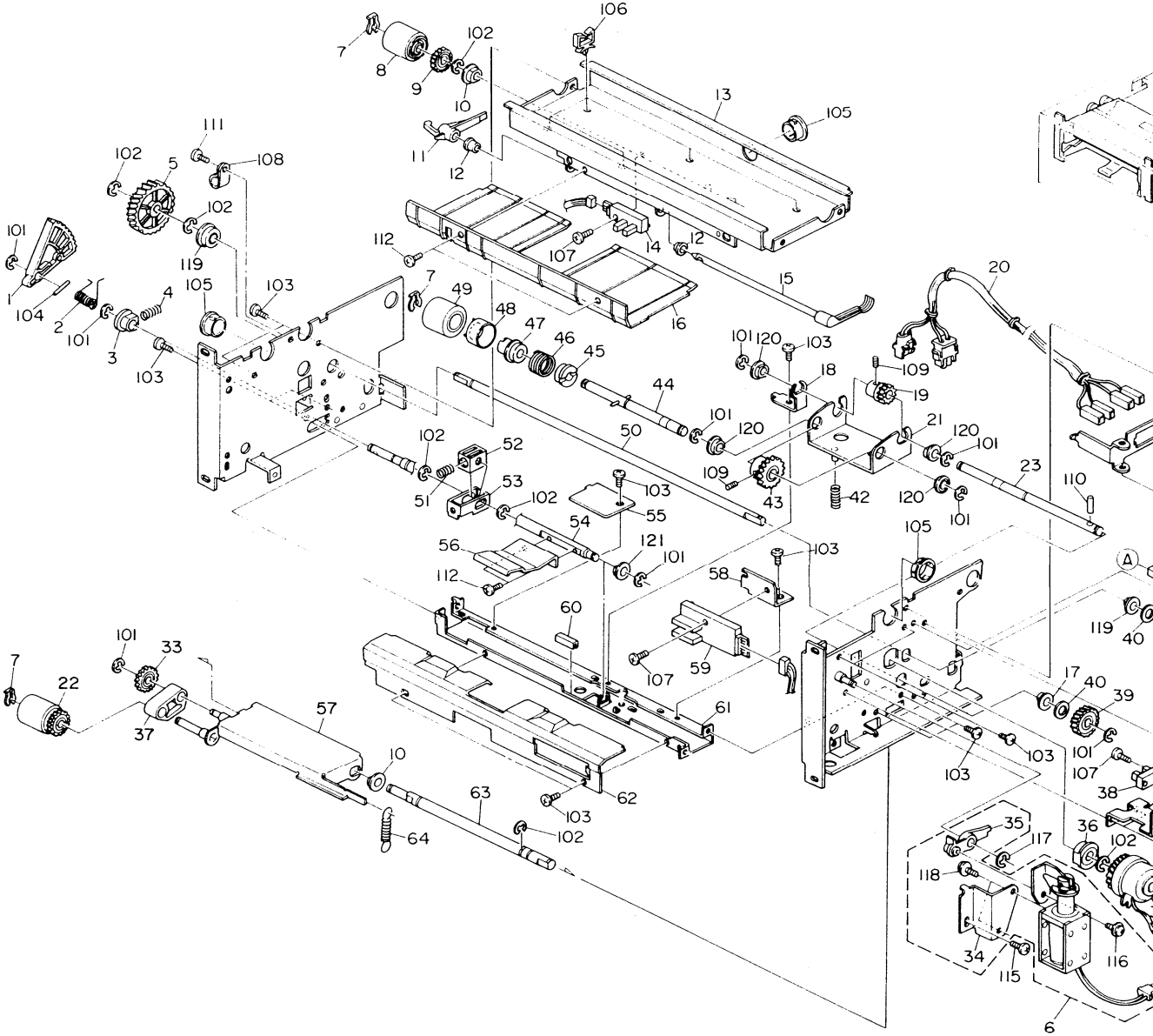
1. EXTERIOR (A464)

January 25, '90

Index No.	Parts No.	Description	Q'ty Per Assembly
1	A464 4211	Left Cover	1
2	A464 3122	Paper Relay Guide - Left	1
3	A464 3123	Paper Relay Guide - Right	1
4	A464 2985	Gear - 44Z	4
5	A464 3115	Gear Cover - 44	1
6	A464 3112	Relay Gear Bracket	1
7	A464 3141	Idler - 3rd Paper Feed	1
8	A913 0217	Rear Small Cover	1
9	A464 4271	Rear Cover	1
10	A464 4241	Right Cover	1
11	A464 4261	Right Cover Cap	1
12	5415 1053	Caster	4
13	A464 4174	Stand	4
14	A464 4168	Right Upper Hinge	1
15	5446 1086	Leveling Foot Guide	4
16	H006 2945	Front Cover Magnet	4
17	A913 3005	Rail - Cassette	2
18	A464 4373	Decal - Misfeed Removal - English	1
19	A464 4164	Front Cover Hinge	2
20	A464 4165	Left Upper Hinge	1
21	A464 4363	Safety Switch Actuator	1
22	A464 4362	Bracket - Safety Switch Actuator	1
23	A464 4340	Left Door	1
24	A464 4320	Right Door	1
25	A464 4331	Magnet Catch Plate	1
26	A464 4173	Right Lower Hinge	1
27	A464 3131	Harness Cover	1
28	A464 4171	Left Lower Hinge	1

Index No.	Parts No.	Description	Q'ty Per Assembly
101	0802 5094	Tapping Screw - M4 x 8	
102	0960 4008Z	Phillips Flange Screw - M4 x 8	
103	0706 0040Z	Toothed Washer - M4	
104	0314 0040W	Phillips Pan Head Screw - M4 x 4	
105	0960 4008W	Phillips Flange Screw - M4 x 8	
106	0720 0060E	Retaining Ring - M6	
107	0596 0120W	Hexagon Bolt - M6 x 12	
108	0802 5085	Tapping Screw - M4 x 8	
109	0720 0025G	Retaining Ring - M2.5	

2. PAPER FEED SECTION 1 (A464)



2. PAPER FEED SECTION 1 (A464)

January 25, '90

Index No.	Parts No.	Description	Q'ty Per Assembly
1	A030 2815	Sector Gear	1
2	AA06 6064	Sector Gear Spring	1
3	5442 2751	Bushing - Upper Registration Roller	1
4	5208 2677	Lift Lever Spring	1
5	A464 2981	Gear - 35Z	1
6	A464 1034	Pick-up Solenoid	1
7	5447 2681	Snap Ring	3
8	5447 2726	Paper Feed Roller	1
9	5442 3218	Gear 18Z	1
0	5053 0223	Bushing - W	2
1	A006 2572	Paper End Actuator	1
2	5443 2668	Bushing	2
3	A464 2571	Upper Stay	1
4	5205 5251	L. E. D. Sensor Type T	1
5	A030 2861	Paper End Feeler	1
5	A464 2855	Paper Entrance Guide	1
7	5053 0447	Bushing - 6x10x6nTn	2
3	A030 2736	Separation Fixed Bracket	1
11	AB01 1023	Gear - 15T	1
20	A464 5113	AC Harness - 3rd Paper Feed	1
21	A030 2729	Separation Pressure Arm	1
21	5447 2723	Pick-up Roller	1
23	AA14 0176	Pressure Arm Shaft	1
24	A464 2785	Safety Switch Bracket	1
25	A464 5121	Safety Switch	1
26	A464 2784	Safety Switch Lever	1
27	A464 2781	Front Bracket - Paper Feed Harness	1
28	A464 2873	Safety Switch Cover	1
29	5447 2768	Stepped Screw - M3	1
30	A464 2871	Cover - Front Side Plate	1
3	A464 2771	Pick-up Sensor Bracket	1
	AX20 0032	Paper Feed Clutch	1
1	AB01 3079	Gear - 21T	1
4	A464 2761	Pick-up Solenoid Bracket	1
5	A007 2742	Subutter Plate	1

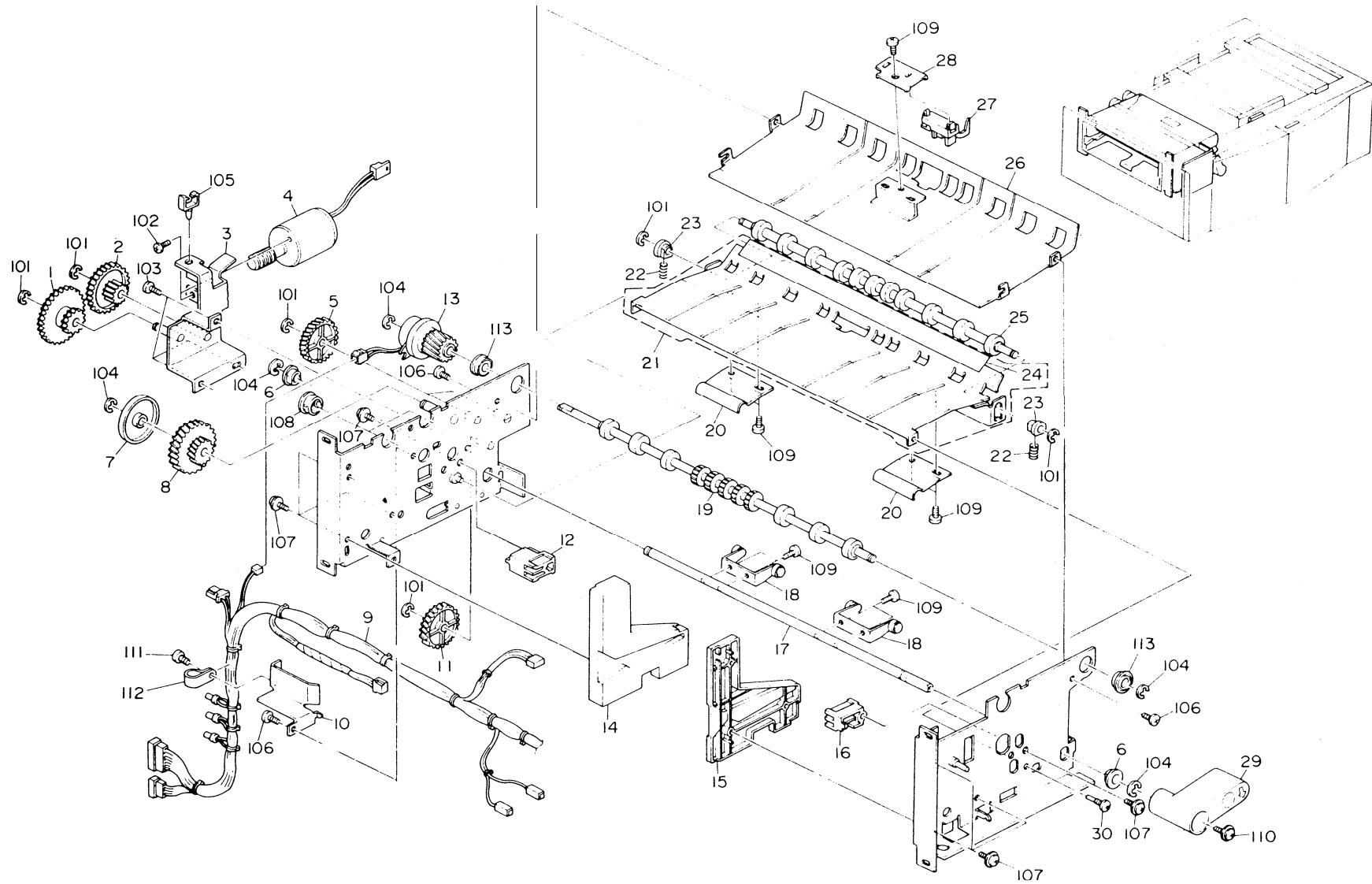
Index No.	Parts No.	Description	Q'ty Per Assembly
36	AA08 3004	One-way Clutch - Feed	1
37	A006 2551	Pick-up Roller Guide	1
38	5205 5251	L. E. D. Sensor Type T	1
39	AB01 3114	Gear - 20T	1
40	AA13 2024	Spacer - M6	2
41	AB01 3284	Gear - 21Z	1
42	AA06 3045	Spring - Paper Feed Separation	1
43	AB01 1024	Gear - 25T	1
44	A030 2780	Separation Driven Shaft	1
45	5447 2695	Input Hub	1
46	5447 2697	Cylindrical Spring	1
47	5447 2676	Output Hub	1
48	5447 2678	Slip Clutch Cover	1
49	5447 2693	Separation Roller	1
50	A464 2956	Relay Shaft - Paper Feed Drive	1
51	AA06 3074	Spring - Paper Lift Lever	1
52	A030 2718	Lift Lever Block	1
53	A030 2717	Pressure Lever	1
54	A030 2955	Paper Lift Lever	1
55	A030 2719	Lift Lever Cover	1
56	A030 2811	Paper Lift Lever	1
57	A030 2751	Pick-up Roller Arm	1
58	A030 2737	Bracket - Paper Size Sensor	1
59	A030 5385	Paper Size Sensor	1
60	5922 2643	Edging	1
61	A030 2711	Paper Feed Stay	1
62	A030 2715	Separation Guide	1
63	AAJ4 0178	Paper Feed Shaft	1
64	AA06 0158	Spring - Pick-up Roller Arm	1

Index No.	Parts No.	Description	Q'ty Per Assembly
101	0720 0040E	Retain ing Ring - M4	
102	0720 0060E	Retain ing Ring - M6	
103	0434 0080W	Tappi ng Screw - M4 x 8	
104	0633 0200G	Pin - M3 x 20	
105	1106 0411	Bushi ng - 11.5m	
106	1105 0196	Harness Cl amp	
107	0314 0100W	Philips Pan Head Screw - M4 x 10	
108	1105 0005	Nylon Clip - 3N	
109	0574 0040E	Hexagon Headless Set Screw - FM x 4	
110	0622 0140E	Spring Pin - 2 x 14mm	
111	0314 0080W	philips Pan Head Screw - M4 x8	
112	0314 0060W	Philips Pan Head Screw - M4 x 6	
113	1105 0016	Nylon Clip - 4N	
114	1105 0087	Cl amp	
115	0314 0040W	Philips Pan Head Screw - M4 x4	
116	0965 3006H	Tappi ng Screw with Flat Washer - M13 x 6	
117	0720 0050E	Retain ing Ring - M5	
118	0951 3006W	Philips Screw with Flat Washer - M3 x 6	
119	0805 3307	Ball Bearing -8x14x 4mm	
120	0805 3042	Ball Bearing - 6 x 1 0 x 3 m	
121	0805 3385	Bushi ng - 6MM	

Index No.	Parts No.	Description	Q'ty Per Assembly

3. PAPER FEED SECTION 2 (A464)

January 25, '90



3. PAPER FEED SECTION 2 (A464)

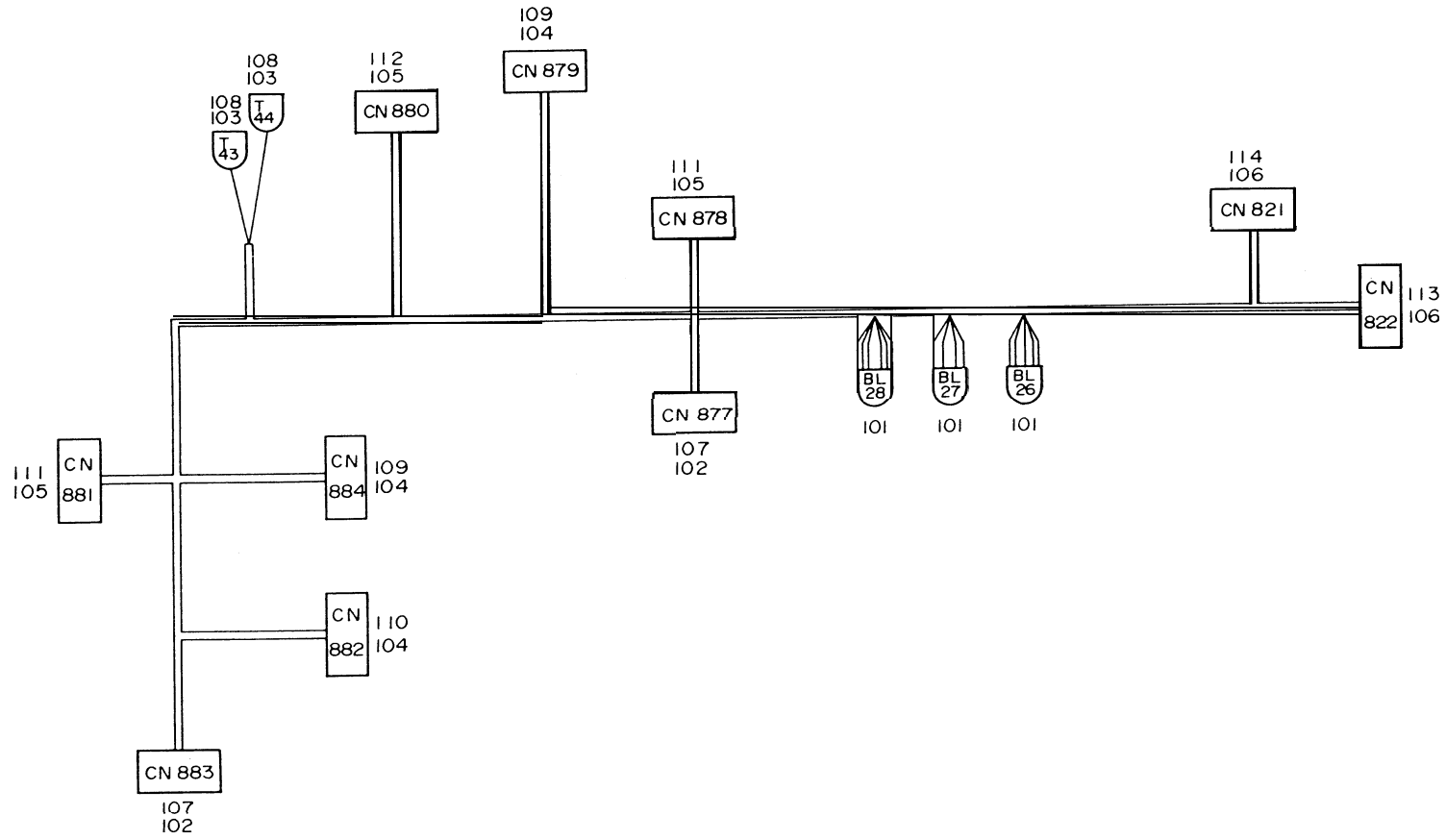
January 25, '90

Index No.	Parts No.	Description	Q'ty Per Assembly
1	5205 2680	Coupled Gear - 16 T/53T	1
2	5205 2681	Coupled Gear - 17T/50T	1
3	A464 2831	Bracket - Paper Lift Motor	1
4	5201 5420	Paper Detect Motor - DC 1.69W	1
5	A464 2994	Gear - 30Z	1
6	5053 0223	Bushing - 8mm	2
7	A464 2993	Gear Cover - 40	1
8	A464 2982	Coupled Gear - 20/402	1
9	A464 5112	DC Harness - 3rd Paper Feed	1
10	A464 2842	Rear Bracket - Paper Feed Harness	1
11	A464 2995	Gear - 30Z	1
12	A030 2866	Guide Plate Holder - Rear	1
13	A464 5303	Magnetic Clutch	1
14	A464 2925	Rear Cassette Holder	1
15	A464 2921	Front Cassette Holder	1
16	A030 2865	Guide Plate Holder - Front	1
17	A464 2631	Release Arm Shaft	1
18	A410 2121	Arm Ass'y - Reverse Sub-Unit	2
19	A464 2965	Paper Relay Roller - Upper	1
20	A464 2628	Spring Plate - Lower Guide Plate	2
21	A464 2621	Lower Guide Plate - Paper Feed	1
22	A464 2935	Lower Guide Plate - Paper Feed	2
23	AA08 0037	Bushing - 6 m	2
24	A464 2623	Mylar Seal - 0.125 x 24 x 300 mm	1
25	A464 2966	Paper Relay Roller - Lower	1
26	A464 2611	Upper Guide Plate - Paper Feed	1
27	AW02 0020	Relay Sensor	1
28	A464 2614	Relay Sensor Bracket	1
29	A464 2632	Release Lever	1
30	5415 4145	Stud	1
31	A464 5303	Magnetic Clutch	1

Index No.	Parts No.	Description	Q'ty Per Assembly
101	0720 0040E	Retaining Ring - M4	
102	0313 0060W	Philips Pan Head Screw - M3 x 6	
103	0434 0060W	Tapping Screw - M4 x 6	
104	0720 0060E	Retaining Ring - Mb	
105	1105 0087	C 1 amp	
106	0434 0080W	Tapping Screw - \$14 x 6	
107	0965 4008W	Tapping Screw with Flat Washer - M4 x 8	
108	1106 0411	Bushing - 11.5mm	
109	0314 0060W	Philips pan Head Screw - M4 x 6	
110	0960 4008W	Philips Flange Screw - M4 x 8	
111	0314 0080W	Philips Pan Head Screw - M4 x 8	
112	1005 0010	Nylon Clip - 6N	
113	0805 3039	Ball Bearing - 8 x 16 x 5 mm	

4. DC HARNESS (A464)

January 25, '90



4. DC HARNESS (A464)

January 25, '90


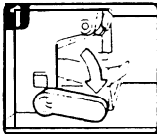
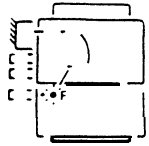
Index No.	Parts No.	Description	Q'ty Per Assembly
*	A464 5112	DC Harness - 3rd Paper Feed	1

Index No.	Parts No.	Description	Q'ty Per Assembly
101	1100 0340	Closed Terminal	
102	1100 1159	Socket - Mate-N-Lock	
103	1100 1172	Fastening Receptacle	
104	1100 1249	Receptacle Terminal	
105	1100 1329	Socket Contact	
106	1100 1330	Socket Contact	
107	1102 1396	Connector - 2P	
108	1102 1402	Receptacle Housing - 1P	
109	1102 1620	Connector - 3P	
110	1102 1623	Receptacle Housing - 7P	
111	1102 1982	Socket Housing - 2P	
112	1102 1983	Socket Housing - 3P	
113	1102 2027	Pin Housing - 6P	
114	1102 2030	Pin Housing - 12P	

1

⚠ Misfeed Removal

If F is lit



1 Push down **F** lever in the direction of the arrow

2 Remove misfed paper and return lever to its original position.

If this was unsuccessful, close table covers, open mainframe cover and follow instructions inside

2

